



ScandMist 200D  
Oil mist filtration  
system

ScandMist

# ScandMist 200D

## Oil mist filtration system

### ScandMist 200D

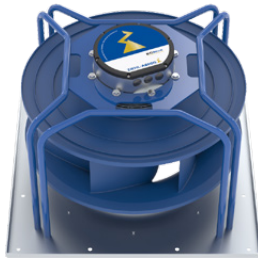
Nominal capacity: 2000 m<sup>3</sup>/h

General	Version	EC motor	Induction motor
	Part number	9709016067	9709016079
<b>Connections</b>	Inlet type	Jacobs	Jacobs
	Inlet diameter	209 mm	209 mm
	Drain	2 off, 2" threaded (BS 21) female	2 off, 2" threaded (BS 21) female
	Air inlet options	Left or right	Left or right
	Exhaust	209 mm diameter with 340 mm flange	209 mm diameter with 340 mm flange
<b>Filters</b>	Filters/stage	1	1
	Stage 1 filter	9709006026	9709006026
	Stage 2 filter	9709006027	9709006027
	Stage 3 filter	5211343315	5211343315
	Final pressure drop	2250 Pa	2250 Pa
<b>Motor Options</b>	<b>Type</b>	<b>Electrically commutated</b>	<b>AC induction</b>
	Part number	7400010752	7400010725
	Quantity	1	1
	Mains supply	3- 400V 50Hz	3- 400V 50Hz
	Ventilation	TEFC	TEFC
	Power consumption*	2.8 kW	2.2 kW
	Maximum current	4.4 A	6.1 A
	Speed	Max 4100 rpm	2905 rpm
	Environmental protection	IP54	IP55
	Efficiency class	IE4 compliant	IE3
<b>Physical properties</b>	Dimensions (W x H x D)	770 x 1921 x 667 mm	770 x 2121 x 667 mm
	Weight with clean filters	210 kg	256 kg
	Noise level	< 69 dB(A)	< 69 dB(A)
	Fan	Backward bent blades	Backward bent blades
	Finish		
<b>Controls</b>	Control system	Micaflex MF-PFT	Danfoss FC102P3K0T4
	Differential pressure gauges	3 off	3 off
<b>Options</b>	Integrated pump	Jabsco, part number 23670-4003	Jabsco, part number 23670-4003
	Exhaust transition		
	Flange inlet connection		

\*At final pressure drop

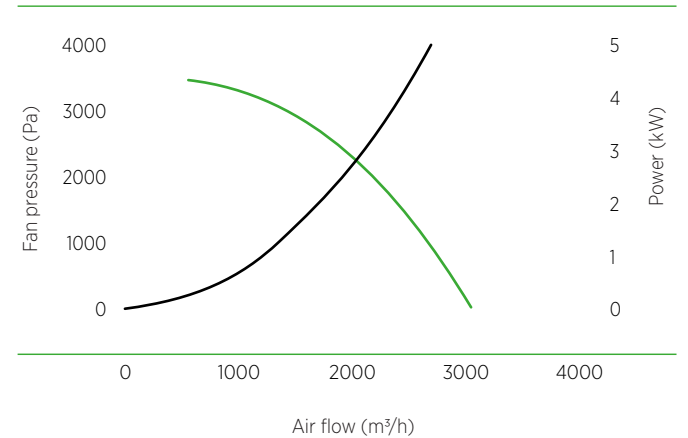
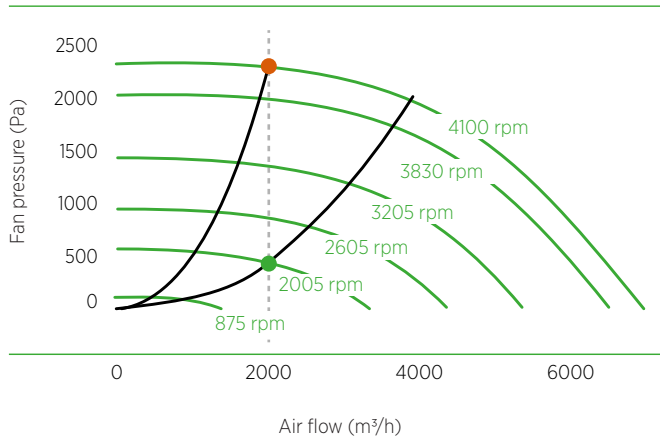
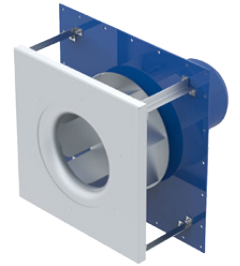
## EC fan and motor Fitted as standard

The standard EC fan and motor delivers good energy efficiency with quiet operation.



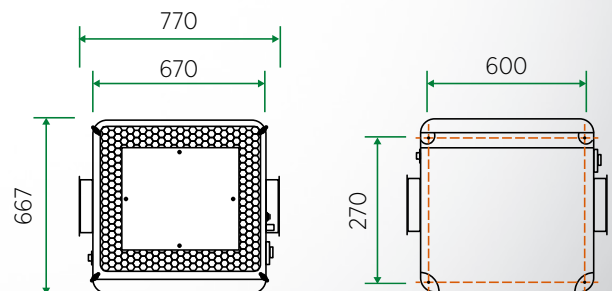
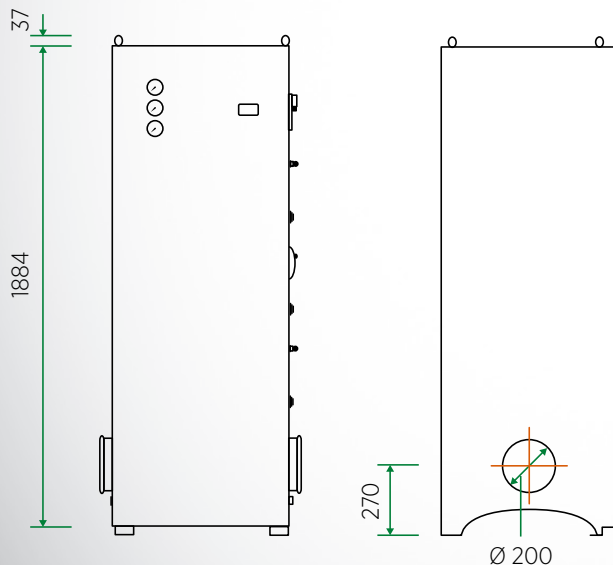
## IE3 ventilator Available as an option

An optional IE3 configuration takes performance to the next level with exceptionally low energy consumption.



● Operating point - initial pressure drop    ● Operating point - final pressure drop    — Power    — Fan pressure

## Dimensions and weight Units: mm



Weight	kg
Empty	155 kg
Clean filters	210 kg
Wet filters	265 kg



0617 Printed in Germany © MANN+HUMMEL