



ScandMist 100R
Oil smoke filtration
system

ScandMist

ScandMist 100R

Oil smoke filtration system

ScandMist 100R

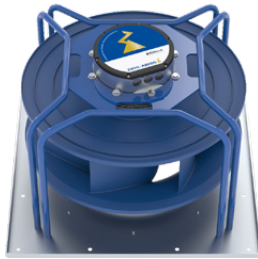
Nominal capacity: 1000 m³/h

General	Version	EC motor	Induction motor
	Part number	9709016066	9709016078
Connections	Inlet type	Jacobs	Jacobs
	Inlet diameter	209 mm	209 mm
	Drain	2 off, 2" threaded (BS 21) female	2 off, 2" threaded (BS 21) female
	Air inlet options	Left or right	Left or right
	Exhaust	209 mm diameter with 340mm flange	209 mm diameter with 340mm flange
Filters	Filters/stage	1	1
	Stage 1 filter	9709006037	9709006037
	Stage 2 filter	9709006038	9709006038
	Stage 3 filter	5211343315	5211343315
	Final pressure drop	2250 Pa	2250 Pa
Motor Options	Type	Electrically commutated	AC induction
	Part number	7400010752	9709005417
	Quantity	1	1
	Mains supply	3- 400V 50Hz	3- 400V 50Hz
	Ventilation	TEFC	TEFC
	Power consumption*	2.8 kW	1.1 kW
	Maximum current	4.4 A	2.4 A
	Speed	Max 4100 rpm	2835 rpm
	Environmental protection	IP54	IP55
	Efficiency class	IE4 compliant	IE3
Physical properties	Dimensions (W x H x D)	770 x 1921 x 667 mm	770 x 2121 x 667 mm
	Weight with clean filters	210 kg	238 kg
	Noise level	< 69 dB(A)	< 69 dB(A)
	Fan	Backward bent blades	Backward bent blades
	Finish		
Controls	Control system	Micaflex MF-PFT	Danfoss FC102P3K0T4
	Differential pressure gauges	3 off	3 off
Options	Integrated pump	Jabsco, part number 23670-4003	
	Exhaust transition		
	Flange inlet connection		

*At final pressure drop

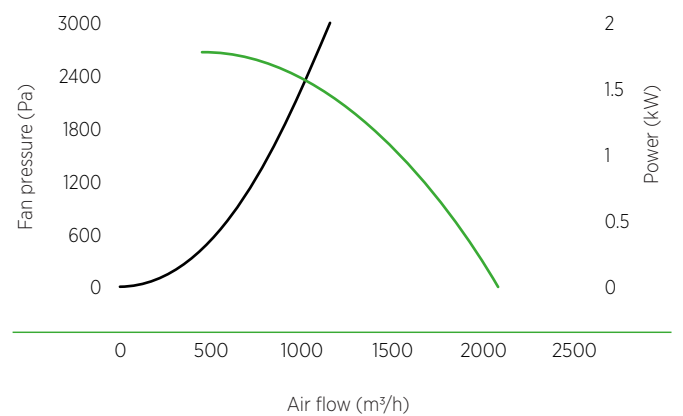
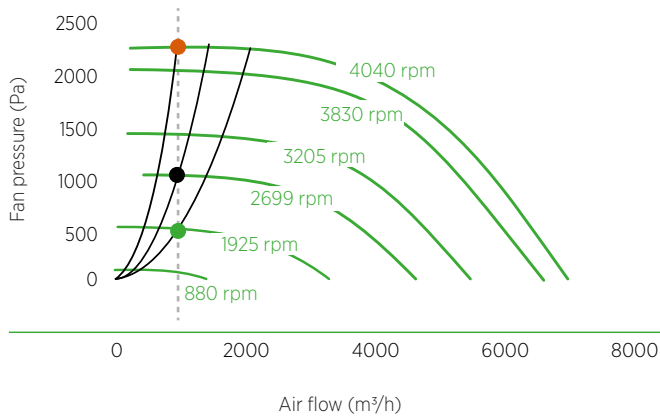
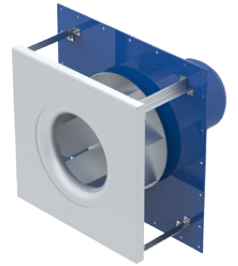
EC fan and motor Fitted as standard

The standard EC fan and motor delivers good energy efficiency with quiet operation.



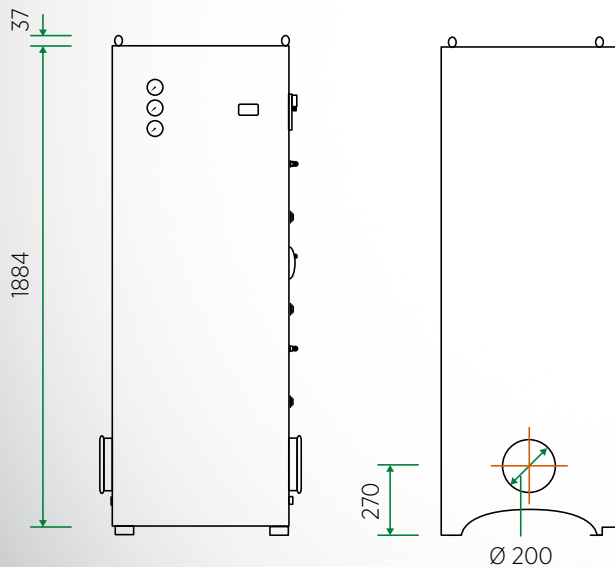
IE3 ventilator Available as an option

An optional IE3 configuration takes performance to the next level with exceptionally low energy consumption.

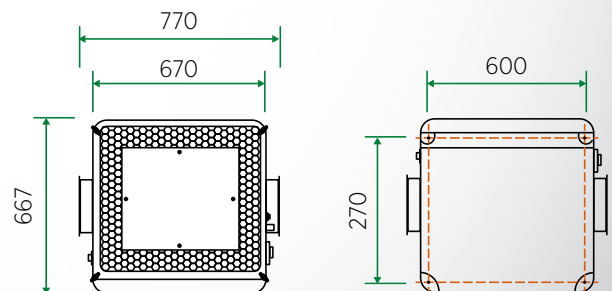


● Operating point - initial pressure drop ● Operating point - final pressure drop — Power — Fan pressure

Dimensions and weight Units: mm



Weight	kg
Empty	155 kg
Clean filters	210 kg
Wet filters	265 kg





0617 Printed in Germany © MANN+HUMMEL