

The image shows a white, vertical industrial oil mist filtration system. On the left side, the brand name 'MANN+HUMMEL' is printed in large, green, sans-serif capital letters. The top left corner features three circular gauges and a small black rectangular control panel. The main body of the unit is white with several horizontal panels. A central panel has a red indicator light and a small white sensor. Below this, there are two small, black, cylindrical components with red caps. The bottom right corner shows a circular access panel. The overall design is clean and industrial.

**MANN+
HUMMEL**

ScandMist 400D
Oil mist filtration
system

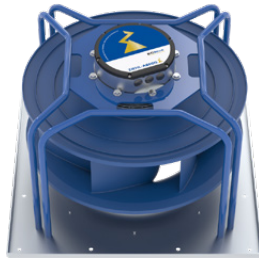
ScandMist 400D

Oil mist filtration system

| General | Product | Units | ScandMist 400D |
|----------------------------|----------------------------------|-------------------|--|
| | Application | | Emulsion |
| | Capacity (nominal) | m ³ /h | 4000 |
| | Part number | | A1B40DB000000A |
| Connections | Inlet type | | Jacobs |
| | Inlet diameter | mm | 315 |
| | Drain | | 2 off, 2" Threaded (BS 21) Female |
| | Air inlet options | | Left/Right |
| | Exhaust | | Top free blow out and flange back side |
| Filters | Filters/stage | | 2 |
| | Stage 1 filter | | 9709006026 |
| | Stage 2 filter | | 9709006027 |
| | Stage 3 filter | | 800530024917 |
| | Available external pressure drop | Pa | 200 |
| Motor | Type | | Electrically commutated |
| | Part number | | 9709005278 |
| | Quantity | | 2 |
| | Mains supply | | 3 - 380-480 V, 50/60 Hz |
| | Ventilation | | TEFC |
| | Power | kW | 2 x 3,7 |
| | Maximum current | A | 9,2 |
| | Speed | RPM | Max 4100 |
| | Environmental protection | | IP54 |
| Physical properties | Width | mm | 770 |
| | Height | mm | 2000 |
| | Depth | mm | 1312 |
| | Weight | kg | Clean filters: 370, Wet filters: 455 |
| | Noise level | dB(A) | <69 |
| | Fan | | Backward bent blades |
| | Finish | | Powder coating inside and outside |
| Controls | Control system | | Micaflex MF-PFA |
| | Differential pressure gauges | | 3 off |
| Options | Oil pump | | 9708900071 |
| | Level sensor | | 9908900187 |
| | Prefilter demister | | 2500273212 |
| | Spray | | Not included |
| | Silencer | | Insulated fan housing |

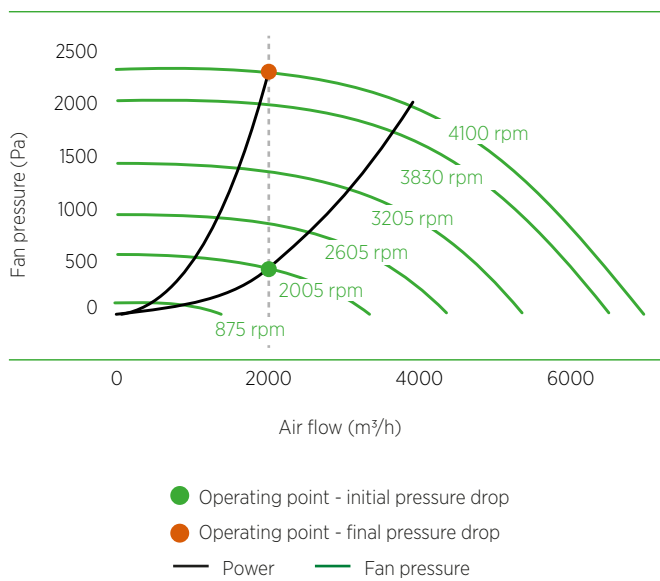
EC fan and motor

The standard EC fan and motor delivers good energy efficiency with quiet operation.



Connecting interface

Wiring via a Harting male/female connector. Quick and easy installation with all connecting interfaces at one spot.

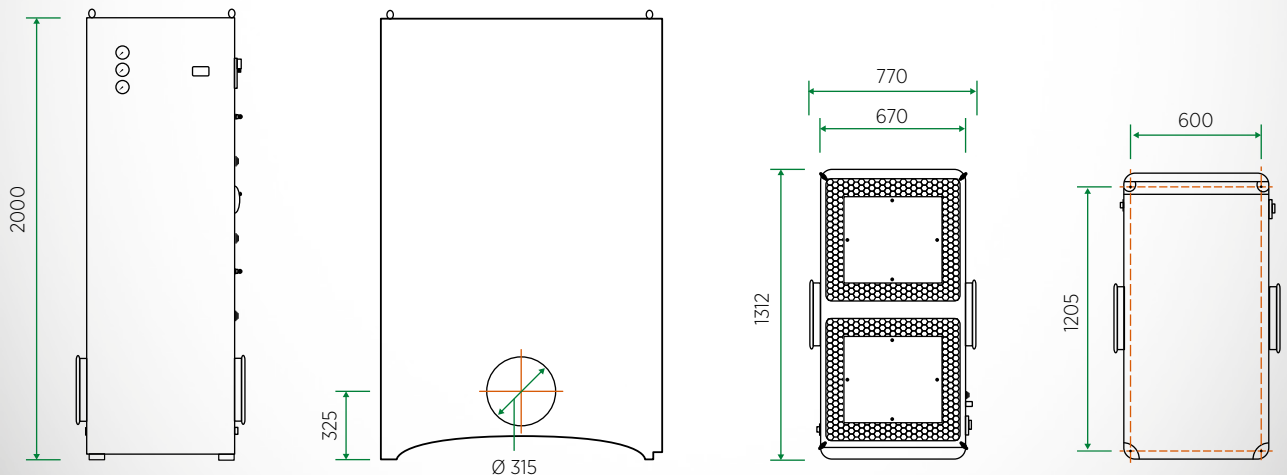


| Power | | Signal exchange | |
|-------|----|-----------------|-----------------------------|
| 1 | L1 | 1 | ON/OFF (make contact) |
| 2 | L2 | 2 | M |
| 3 | L3 | 3 | Output Signal: In Operation |
| 4 | N | 4 | M |
| 5 | PE | 5 | AL1 |
| | | 6 | M |
| | | 7 | AL2 |
| | | 8 | N |
| | | 9 | AL3 |
| | | 10 | N |
| | | 11 | Reset |
| | | 12 | N |
| | | 13 | AI2 |
| | | 14 | N |

Input: ON/OFF
 Output: In Operation
 Alarm 1, Motor/Power
 Alarm 2, System pressure high/low/operation signal
 Alarm 3, System pressure high/low/operation signal
 Reset for alarms
 Analog output 2 of Micaflex MF-PFA

Dimensions and weight

Units: mm



| Weight | kg |
|---------------|--------|
| Empty | 260 kg |
| Clean filters | 370 kg |
| Wet filters | 455 kg |



0419 Printed in Germany © MANN+HUMMEL