

Demiguard Pro

Effective CO₂ removal

Product Range



Features



Applications



Filter Class



KEY FACTS

- Particle filtration and CO₂ absorption in one unit
- Large filter surface for a long service life
- Compact and robust construction
- Simple to service and maintain
- Integrated HEPA filter provides high levels of air cleanliness

DESIGN

Robust, stainless steel casing with lead seal to prevent unauthorized opening. First stage consisting of a floating HEPA filter with a glass fiber media, which is tested to EN 1822 and guaranteed leak free. This protects the second stage CO₂ filter, which features a high-grade absorbent material. An integral filter change indicator simplifies maintenance and shows filter exhaustion.

APPLICATIONS

Ideal for use wherever CO₂ must be removed from the air. This may be in industrial installations (e.g. water treatment) or in closed environments, where a certain CO₂ concentration may not be exceeded.

SPECIFICATION

Housing material	1.4301 / AISI 304	Weight (complete unit)	75 kg
Pressure drop	350 Pa @ 120 m ³ /h	Weight (sorbet material)	45 kg

Demiguard Pro

Effective CO₂ removal

TWO FILTER STAGES

DemiGuard consists of two stages: a floating particle filter section and a CO₂ absorbing section. First, the air flows through the floating particle filter section, which incorporates a HEPA filter (H13 to EN 1822) to remove up to 99.95% of particles of 0.3 µm. After this stage, all the substances which could potentially damage the absorbent material have been filtered out, and the air passes through the absorbent to remove the CO₂.

① FLOATING PARTICLE FILTER

Due to the pleat formation of the glass fibre paper media, the floating particle filter features an exceptionally large filter surface; providing a high dust holding capacity and a long service life. The retention efficiency for floating particles amounts to more than 99.95 % according to EN1822. Each element is verified to be leak-free prior to shipment, in addition to being tested according to EN 1822. By simply removing the casing cover, the floating particle filter elements can be extracted, and for even easier replacement, they are fixed by a combination of seal, locking sleeve and wedge.

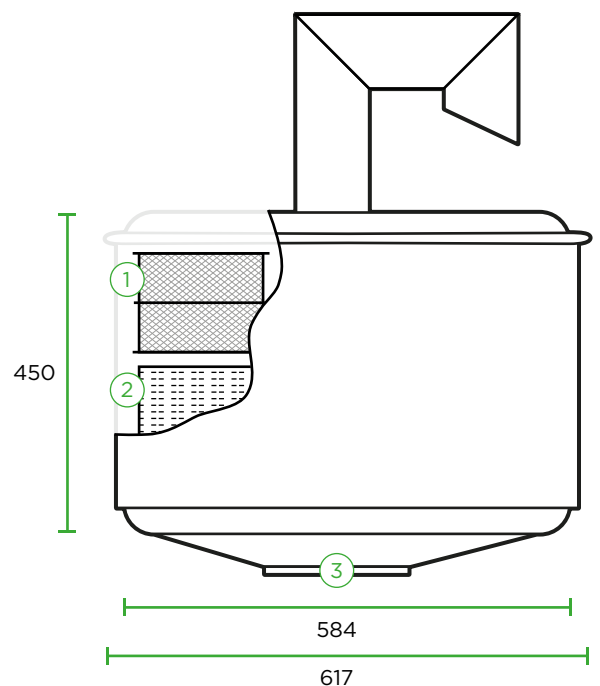
② CO₂ FILTER

The CO₂ filter section consists of a high-grade absorbent material specifically selected for its performance, which provides high efficiency and a long working life. With a built-in indicator, it is easy to determine the degree of exhaustion of the filter: the colour of the filter changes from its original grey to a blue violet.

③ FILTER CONNECTION

An air inlet connection is provided on top of the casing cover with an air outlet connection located at the bottom. To ensure secure connection of the pipes, optional connecting pieces can be supplied.

DIMENSIONS (MM)



PRESSURE DROP

