



MANN+
HUMMEL

The image shows a tall, white, rectangular industrial filtration unit. On the left side, there are three circular ports stacked vertically. In the center, there is a small digital display showing 'P 1.2'. To the right, there is a control panel with a red emergency stop button and a power switch. At the bottom right, there is a large circular outlet. The unit is mounted on a wall with four corner brackets.

ScandMist 200S
Soldering fume
and VOC filtration
system

ScandMist

NEW

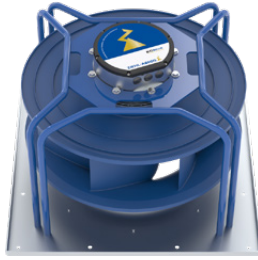
ScandMist 200S

Soldering fume and VOC filtration system

| General | Product | Units | ScandMist 200S |
|----------------------------|------------------------------------|-------------------|--|
| | Application | | Soldering and VOC fumes |
| | Capacity (nominal) | m ³ /h | 2000 |
| | Part number | | A1B20SB100000A |
| Connections | Inlet type | | Jacobs |
| | Inlet diameter | mm | 200 |
| | Drain | | 2 off, 2" Threaded (BS 21) Female |
| | Air inlet options | | Left/Right |
| | Exhaust | | Top free blow out and flange back side |
| Filters | Filters/stage | | 1 |
| | Stage 1 filter (Aircube N Eco) | | 800481002927 |
| | Stage 2 filter (HEPA H13) | | 800530024917 |
| | Stage 3 filter (Carboactiv Cube N) | | 800656024342 |
| | Available external pressure drop | Pa | 200 |
| Motor | Type | | Electrically commutated |
| | Part number | | 9709005278 |
| | Quantity | | 1 |
| | Mains supply | | 3 - 380-480 V, 50/60 Hz |
| | Ventilation | | TEFC |
| | Power | kW | 3,7 |
| | Maximum current | A | 4,6 |
| | Speed | RPM | Max 4100 |
| | Environmental protection | | IP54 |
| Physical properties | Width | mm | 773 |
| | Height | mm | 1886 |
| | Depth | mm | 669 |
| | Weight | kg | Clean filters: 210, Wet filters: 265 |
| | Noise level | dB(A) | <69 |
| | Fan | | Backward bent blades |
| | Finish | | Powder coating inside and outside |
| Controls | Control system | | Micaflex MF-PFA |
| | Differential pressure gauges | | 3 off |
| Options | Oil pump | | N/A |
| | Level sensor | | 9908900187 |
| | Prefilter demister | | Included |
| | Spray | | Not included |
| | Silencer | | Insulated fan housing |

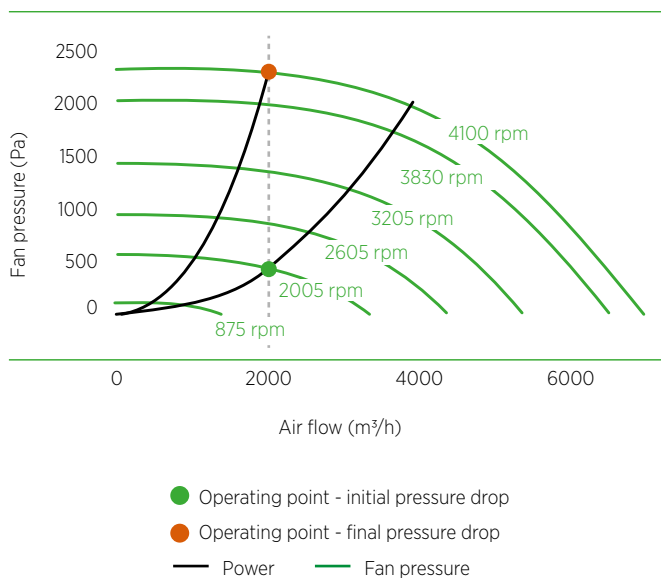
EC fan and motor

The standard EC fan and motor delivers good energy efficiency with quiet operation.



Connecting interface

Wiring via a Harting male/female connector. Quick and easy installation with all connecting interfaces at one spot.

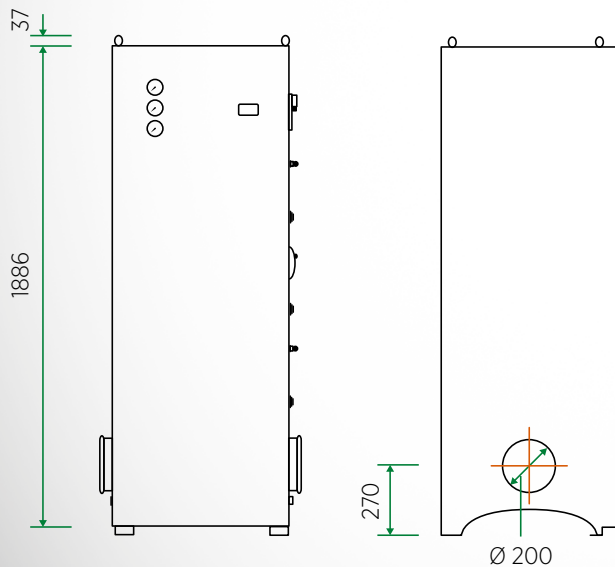


| Power | | Signal exchange | |
|-------|----|-----------------|-----------------------------|
| 1 | L1 | 1 | ON/OFF (make contact) |
| 2 | L2 | 2 | M |
| 3 | L3 | 3 | Output Signal: In Operation |
| 4 | N | 4 | M |
| 5 | PE | 5 | AL1 |
| | | 6 | M |
| | | 7 | AL2 |
| | | 8 | N |
| | | 9 | AL3 |
| | | 10 | N |
| | | 11 | Reset |
| | | 12 | N |
| | | 13 | AI2 |
| | | 14 | N |

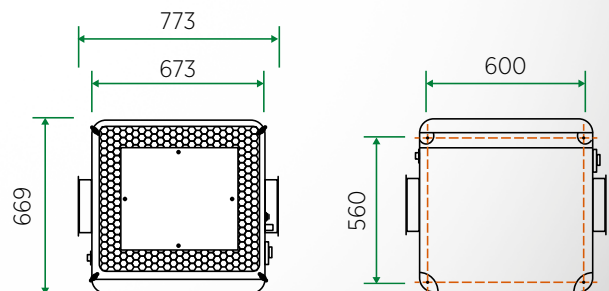
Input: ON/OFF
 Output: In Operation
 Alarm 1, Motor/Power
 Alarm 2, System pressure high/low/operation signal
 Alarm 3, System pressure high/low/operation signal
 Reset for alarms
 Analog output 2 of Micaflex MF-PFA

Dimensions and weight

Units: mm



| Weight | kg |
|---------------|--------|
| Empty | 155 kg |
| Clean filters | 210 kg |
| Wet filters | 265 kg |





0819 Printed in Germany © MANN+HUMMEL