

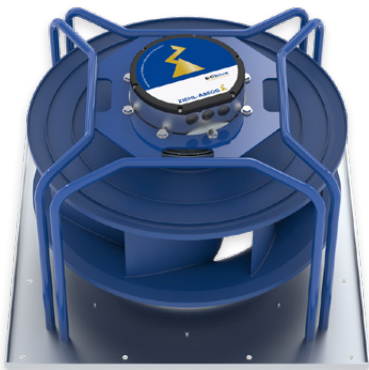
# ScandMist 200M



# ScandMist 200M

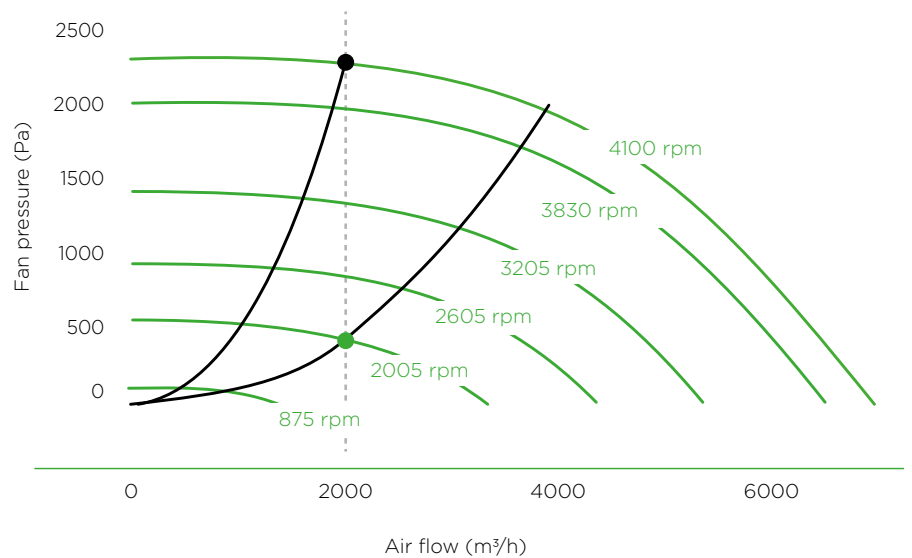
## MQL filtration system

	Product	ScandMist 200M
General	Application	MQL filtration
	Capacity (nominal)	2000 m <sup>3</sup> /h
	Part number	1000014425
Connections	Inlet type	Jacobs
	Inlet diameter	200 mm
	Drain	2 off (left and right), 1"
	Air inlet options	Left/right
	Exhaust	Top free blow out and flange back side
Filters	Filters/stage	1
	Stage 1 filter (coalescer)	1000023415
	Stage 2 filter (Aircube N Eco)	1000006062
	Stage 3 filter (HEPA H13)	1000003553
	Available external pressure drop	200 Pa
Motor	Type	Electrically commutated
	Part number	1000014728
	Quantity	1
	Mains supply	3 - 380-480 V, 50/60 Hz
	Efficiency	Super premium efficiency IE5 (IEC60034-30-2)
	Power	Max. 3.7 KW
	Maximum current	4.6 A
	Speed	Max 4100 rpm
	Environmental protection	IP54
Physical properties	Width	780 mm
	Height	2100 mm
	Depth	662 mm
	Weight	Clean filters: 210 kg, wet filters: 265 kg
	Noise level	<69 dB(A)
	Finish	Powder coating inside and outside
Controls	Control system	Micaflex MF-PFA
	Differential pressure gauges	3 off
Options	Oil pump	1000014671
	Level sensor	1000014268
	Prefilter demister	Included
	Spray	Not included
	Silencer	Insulated fan housing



## EC FAN AND MOTOR

The EC fan and motor combine energy efficiency and quiet operation.



- Operating point - initial pressure drop
- Operating point - final pressure drop
- Fan pressure
- Power

## CONNECTING INTERFACE

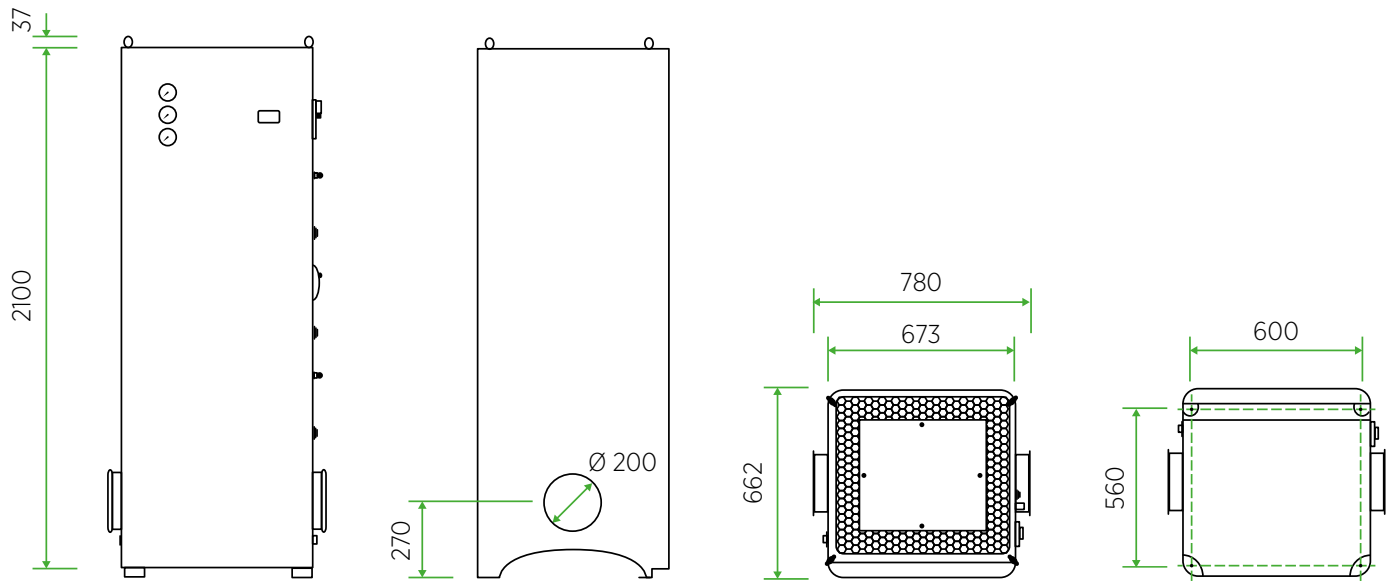
Wiring via a Harting male/female connector. Quick and easy installation with all connecting interfaces in one spot.

Power	
1	L1
2	L2
3	L3
4	N
5	PE

### Signal exchange

1	ON/OFF (make contact)	Input: ON/OFF
2	M	
3	Output Signal: In Operation	Output: In Operation
4	M	
5	AL1	Alarm 1, Motor/Power
6	M	
7	AL2	Alarm 2, System pressure high/low/operation signal
8	N	
9	AL3	Alarm 3, System pressure high/low/operation signal
10	N	
11	Reset	Reset for alarms
12	N	
13	AI2	Analog output 2 of Micaflex MF-PFA
14	N	

# Dimensions and weight



## Dimensions (mm)

Weight	kg
Empty	155
Clean filters	210
Wet filters	265

We reserve the right to update, change or supplement the information provided in this document without prior notice.

0623 © MANN+HUMMEL