

The image shows a white, vertical industrial oil mist filtration system. On the left side, the brand name 'MANN+HUMMEL' is printed in large, green, sans-serif capital letters. The top left corner features three circular gauges and a small black rectangular display. The main body of the unit has several ports and valves, including a central panel with a red indicator light and a pressure gauge. A dark grey rectangular box is overlaid on the right side of the unit, containing white text. The overall design is clean and professional, typical of industrial equipment.

**MANN+
HUMMEL**

ScandMist 400D
Oil mist filtration
system

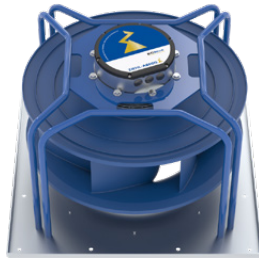
ScandMist 400D

Oil mist filtration system

General	Product	Units	ScandMist 400D
	Application		Emulsion
	Capacity (nominal)	m ³ /h	4000
	Part number		A1B40DB000000A
Connections	Inlet type		Jacobs
	Inlet diameter	mm	315
	Drain		2 off, 2" Threaded (BS 21) Female
	Air inlet options		Left/Right
	Exhaust		Top free blow out and flange back side
Filters	Filters/stage		2
	Stage 1 filter		9709006026
	Stage 2 filter		9709006027
	Stage 3 filter		800530024917
	Available external pressure drop	Pa	200
Motor	Type		Electrically commutated
	Part number		9709005278
	Quantity		2
	Mains supply		3 - 380-480 V, 50/60 Hz
	Ventilation		TEFC
	Power	kW	2 x 3,7
	Maximum current	A	9,2
	Speed	RPM	Max 4100
	Environmental protection		IP54
Physical properties	Width	mm	770
	Height	mm	2000
	Depth	mm	1312
	Weight	kg	Clean filters: 370, Wet filters: 455
	Noise level	dB(A)	<69
	Fan		Backward bent blades
	Finish		Powder coating inside and outside
Controls	Control system		Micaflex MF-PFA
	Differential pressure gauges		3 off
Options	Oil pump		9708900071
	Level sensor		9908900187
	Prefilter demister		2500273212
	Spray		Not included
	Silencer		Insulated fan housing

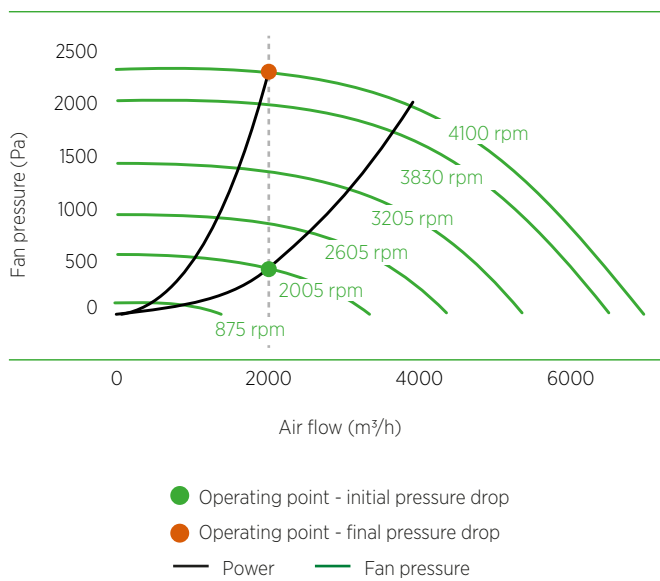
EC fan and motor

The standard EC fan and motor delivers good energy efficiency with quiet operation.



Connecting interface

Wiring via a Harting male/female connector. Quick and easy installation with all connecting interfaces at one spot.

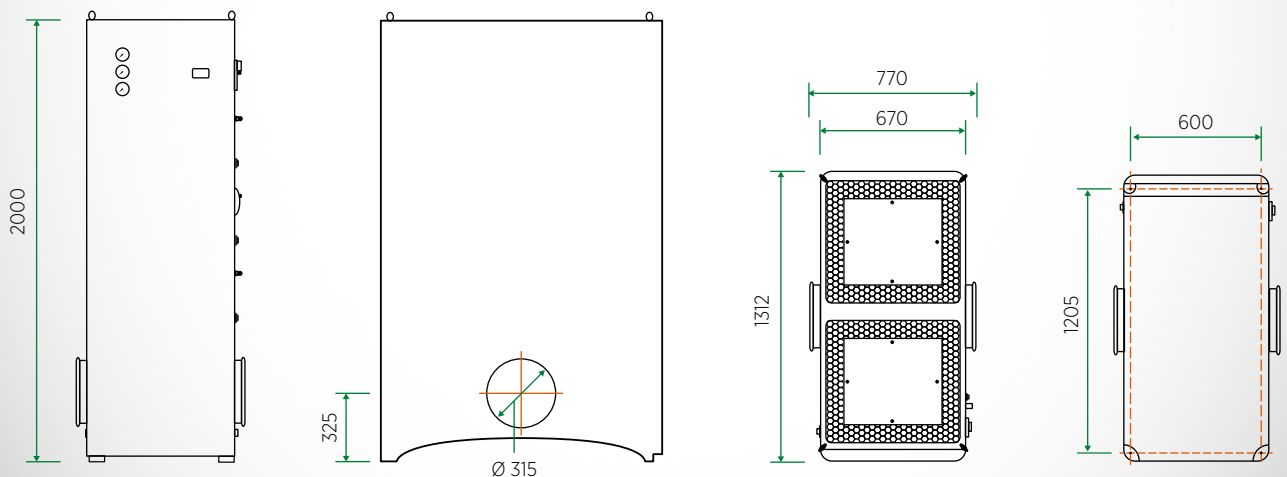


Power		Signal exchange	
1	L1	1	ON/OFF (make contact)
2	L2	2	M
3	L3	3	Output Signal: In Operation
4	N	4	M
5	PE	5	AL1
		6	M
		7	AL2
		8	N
		9	AL3
		10	N
		11	Reset
		12	N
		13	AI2
		14	N

Input: ON/OFF
 Output: In Operation
 Alarm 1, Motor/Power
 Alarm 2, System pressure high/low/operation signal
 Alarm 3, System pressure high/low/operation signal
 Reset for alarms
 Analog output 2 of Micaflex MF-PFA

Dimensions and weight

Units: mm



Weight	kg
Empty	260 kg
Clean filters	370 kg
Wet filters	455 kg



0419 Printed in Germany © MANN+HUMMEL