

A tall, white, rectangular industrial filtration unit. It features three circular ports on the left side, a digital display in the center, and a control panel on the right. The unit is mounted on a base with a large circular outlet. The MANN+HUMMEL logo is printed in green on the front panel.

**MANN+**  
**HUMMEL**

ScandMist 200M  
MQL filtration  
system

ScandMist

NEW

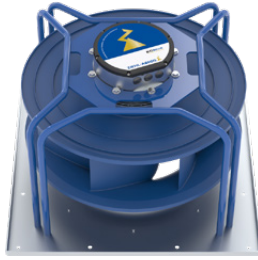
# ScandMist 200M

## MQL filtration system

General	Product	Units	ScandMist 200M
	Application		MQL filtration
	Capacity (nominal)	m <sup>3</sup> /h	2000
	Part number		A1B20MB100000A
<b>Connections</b>	Inlet type		Jacobs
	Inlet diameter	mm	200
	Drain		2 off, 2" Threaded (BS 21) Female
	Air inlet options		Left/Right
	Exhaust		Top free blow out and flange back side
<b>Filters</b>	Filters/stage		1
	Stage 1 filter (coalescer)		9709006027
	Stage 2 filter (Aircube N Eco)		800481002927
	Stage 3 filter (HEPA H13)		800530024917
	Available external pressure drop	Pa	200
<b>Motor</b>	<b>Type</b>		<b>Electrically commutated</b>
	Part number		9709005278
	Quantity		1
	Mains supply		3 - 380-480 V, 50/60 Hz
	Ventilation		TEFC
	Power	kW	3,7
	Maximum current	A	4,6
	Speed	RPM	Max 4100
	Environmental protection		IP54
<b>Physical properties</b>	Width	mm	773
	Height	mm	1886
	Depth	mm	669
	Weight	kg	Clean filters: 210, Wet filters: 265
	Noise level	dB(A)	<69
	Fan		Backward bent blades
	Finish		Powder coating inside and outside
<b>Controls</b>	Control system		Micaflex MF-PFA
	Differential pressure gauges		3 off
<b>Options</b>	Oil pump		N/A
	Level sensor		9908900187
	Prefilter demister		Included
	Spray		Not included
	Silencer		Insulated fan housing

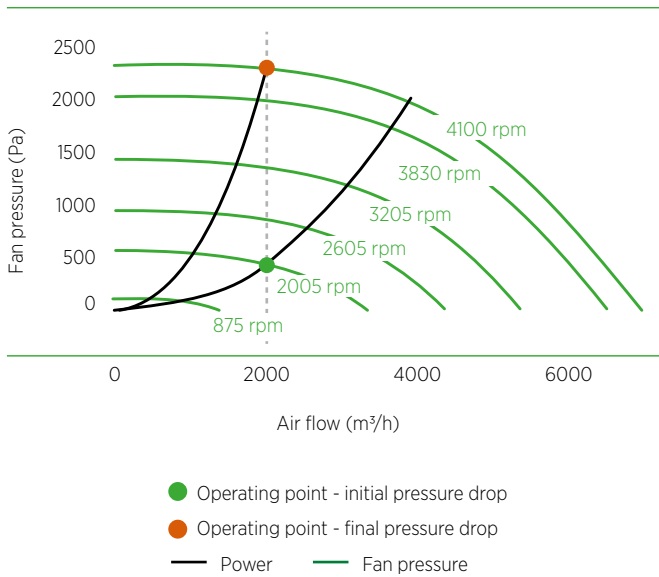
## EC fan and motor

The standard EC fan and motor delivers good energy efficiency with quiet operation.



## Connecting interface

Wiring via a Harting male/female connector. Quick and easy installation with all connecting interfaces at one spot.

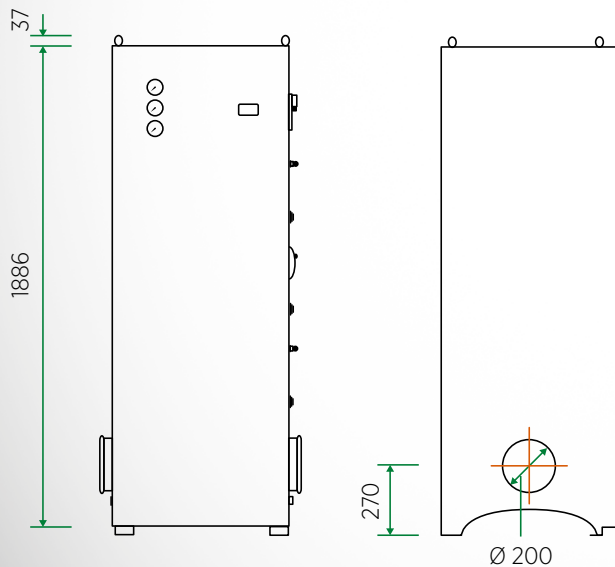


Power		Signal exchange	
1	L1	1	ON/OFF (make contact)
2	L2	2	M
3	L3	3	Output Signal: In Operation
4	N	4	M
5	PE	5	AL1
		6	M
		7	AL2
		8	N
		9	AL3
		10	N
		11	Reset
		12	N
		13	AI2
		14	N

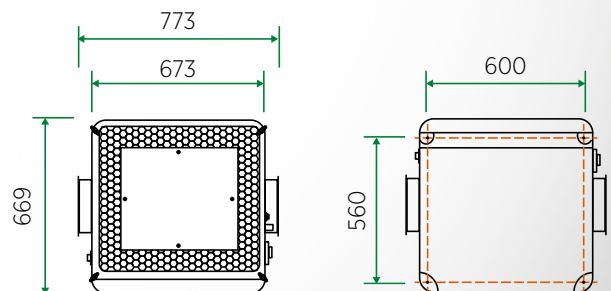
Input: ON/OFF  
 Output: In Operation  
 Alarm 1, Motor/Power  
 Alarm 2, System pressure high/low/operation signal  
 Alarm 3, System pressure high/low/operation signal  
 Reset for alarms  
 Analog output 2 of Micaflex MF-PFA

## Dimensions and weight

Units: mm



Weight	kg
Empty	155 kg
Clean filters	210 kg
Wet filters	265 kg





0519 Printed in Germany © MANN+HUMMEL