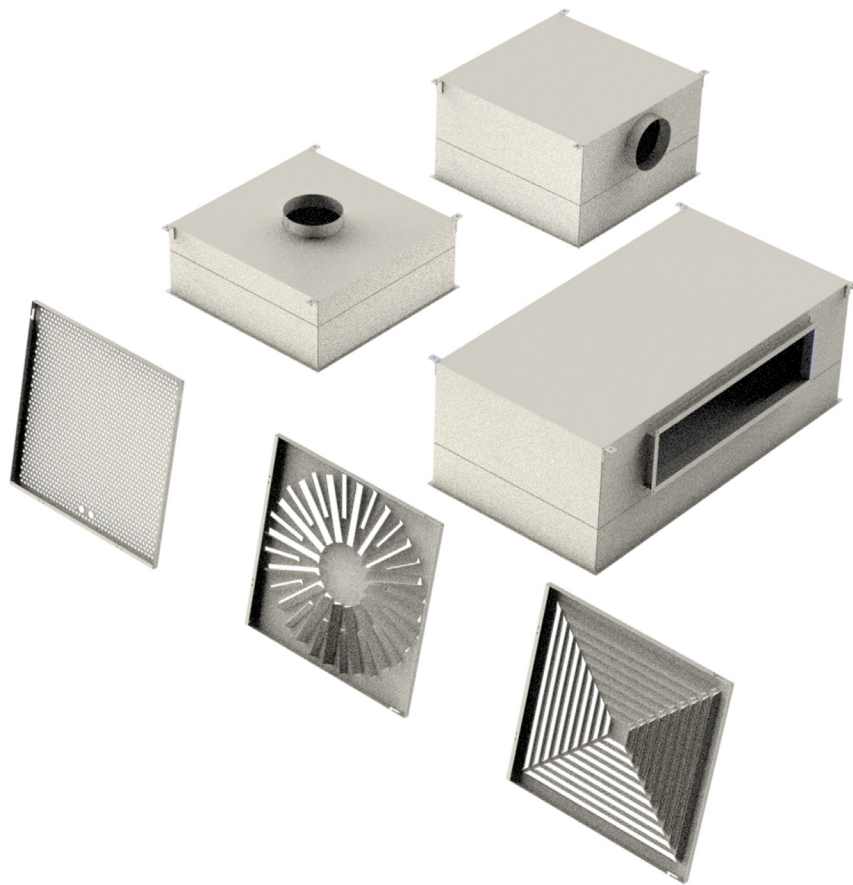


Nanoclass RTM Select



Nanoclass RTM Select



Filter housing



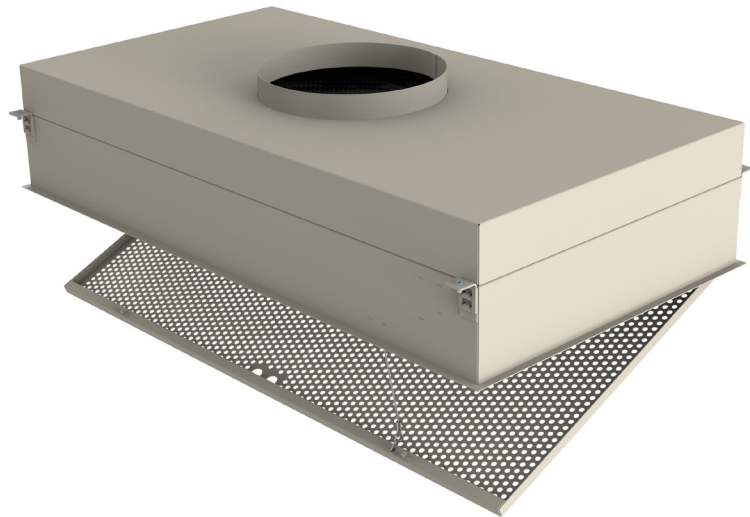
Focus on price/
performance



Suitable for cleanrooms



Filter classes to EN1822



KEY ADVANTAGES

- Compact design with minimal space requirements
- Highly customizable Terminal Module
- Rigid, welded design to guarantee tightness and durability
- High corrosion resistance due to enhanced coating and product finish
- Supplied with integrated Measuring Ports (Pressure Drop, DOP, Concentration)
- User-friendly filter installation and replacement
- Filter clamping mechanism to accommodate different heights
- Fully interchangeable diffuser plates
- Easy access & tool-free diffuser opening mechanism
- Integrated safety wire

APPLICATIONS

Developed for final filtration stages in sensitive areas such as cleanrooms and controlled environments in Life Sciences, Pharma as well as Food & Beverage Industries.

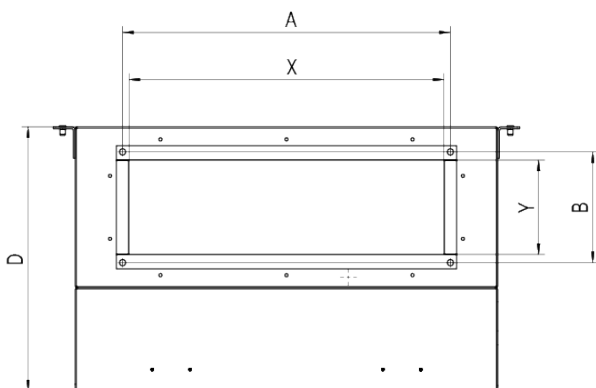
Technical data

Flange hole pattern
(only for rectangular cutout)

Entry type	Grid	Width	Height	Depth	Inlet dimensions				
		W (mm)	H (mm)	D (mm)	I (mm)	X (mm)	Y (mm)	A (mm)	B (mm)
Top-circular	0303	397	397	310	Ø 150				
	0306	397	697	310	Ø 200				
	0606	697	697	310	Ø 200				
	0609	697	997	310	Ø 250				
	0909	997	997	310	Ø 355				
	0612	697	1297	310	Ø 355				
Side-circular	0303	397	397	356	Ø 150				
	0306	397	697	406	Ø 200				
	0606	697	697	406	Ø 200				
	0609	697	997	456	Ø 250				
	0909	997	997	561	Ø 355				
	0612	697	1297	561	Ø 355				
Side-rectangular	0303	397	397	370		100	200	126	220
	0306	397	697	370		100	200	126	220
	0606	697	697	420		150	500	176	520
	0609	697	997	470		200	500	226	520
	0909	697	997	470		200	600	226	620
	0612	697	1297	470		200	800	226	820

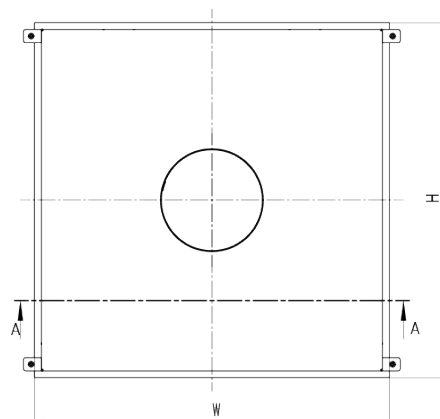
FRONT VIEW

Side entry rectangular



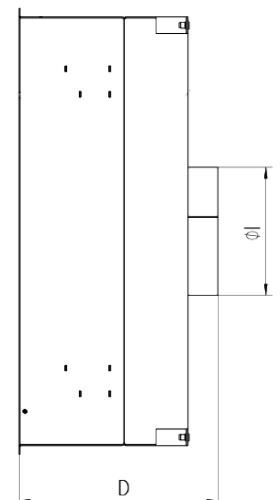
TOP VIEW

Top entry circular



LEFT VIEW

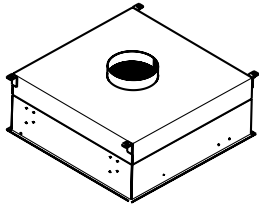
Top entry circular



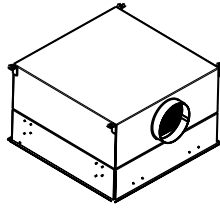
Options

ENTRY GEOMETRY AND POSITION

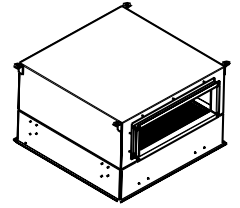
0606
Top-circular



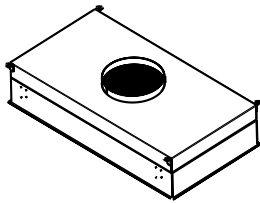
0606
Side-circular



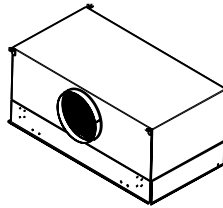
0606
Side-rectangular



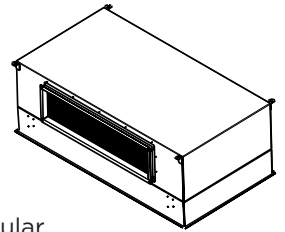
0612
Top-circular



0612
Side-circular

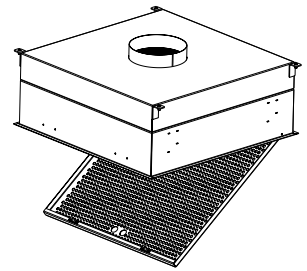
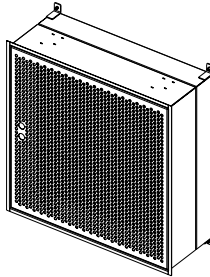
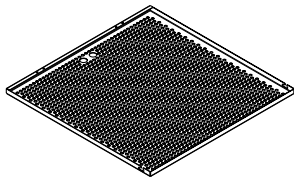


0612
Side-rectangular

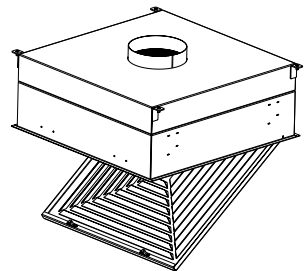
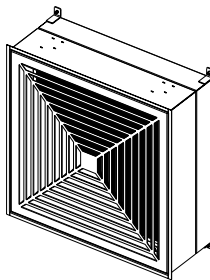
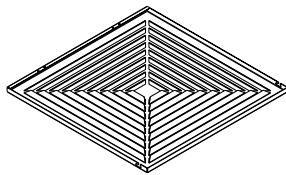


DIFFUSOR TYPE

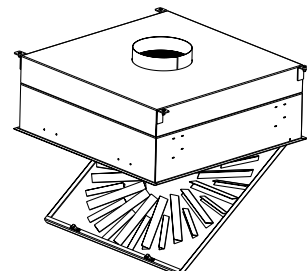
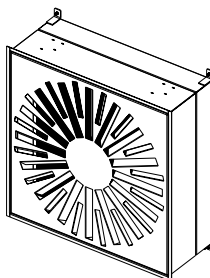
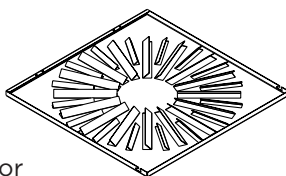
Perforated plate



Swirl diffuser

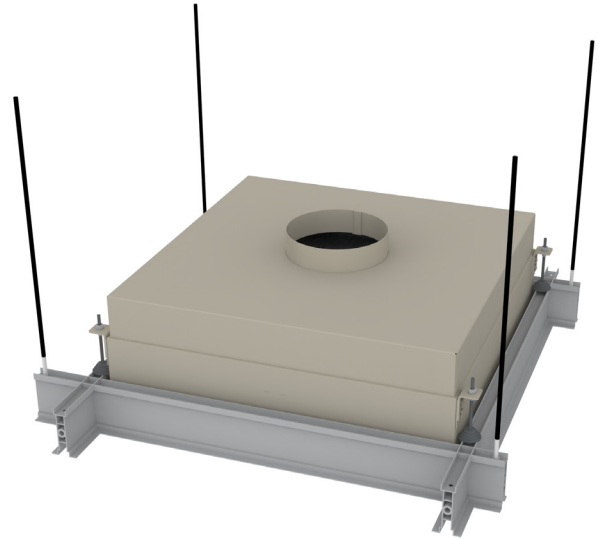


4-way diffuser



Recommended ceiling cutout

Grid	Length (mm)	Width (mm)
0303	388	388
0306	388	688
0606	688	688
0609	688	988
0909	988	988
0612	688	1288



Compatible MANN+HUMMEL filters for highest cleanroom standards



Nanoclass Square Eco TC

Minipleat technology for laminar flow with low pressure drop and a self-healing, fluid gel gasket

Grid	FILTER DIMENSIONS	
	Frontal Dimensions (mm)	Depths (mm)
0303	305 x 305	80 104
0306	305 x 610	80 104
0606	610 x 610	80 104
0609	610 x 915	80 104
0909	915 x 915	80 104
0612	610 x 1220	80 104



Nanoclass Square Eco FC

Minipleat technology for laminar flow with low pressure drop and a continuous polyurethane foam gasket

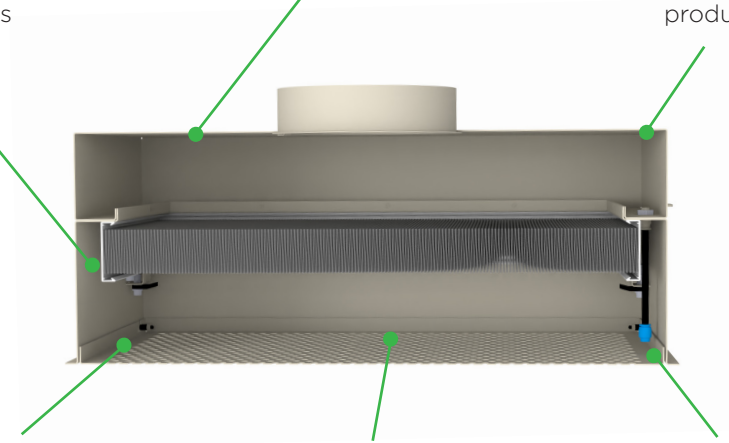
Grid	FILTER DIMENSIONS				
	Frontal Dimensions (mm)	Depths (mm)			
0303	305 x 305	70	78	90	110
0306	305 x 610	70	78	90	110
0606	610 x 610	70	78	90	110
0609	610 x 915	70	78	90	110
0909	915 x 915	70	78	90	110
0612	610 x 1220	70	78	90	110

Key advantages at a glance

Multiple user-friendly clamping brackets for different filter heights

Rigid and welded design

High corrosion resistance due to enhanced coating and product finish



Hanging clip for interchangeable diffusers

Fully interchangeable diffuser plates

Measurement port (pressure drop, aerosol injection)



User friendly and tool-free closing mechanism

Integrated safety wire

We reserve the right to update, change, or supplement the information provided in this document without prior notice.

0326 © MANN+HUMMEL