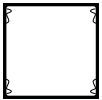




Exhaust Air
Housing
Outlet Air Filter
Unit

Exhaust Air Housing Outlet Air Filter Unit

Product Range



Applications



KEY FACTS

- Suitable for a range of filter depths from 25 to 50 mm
- Easy to install and replace both the unit and filters

DESIGN

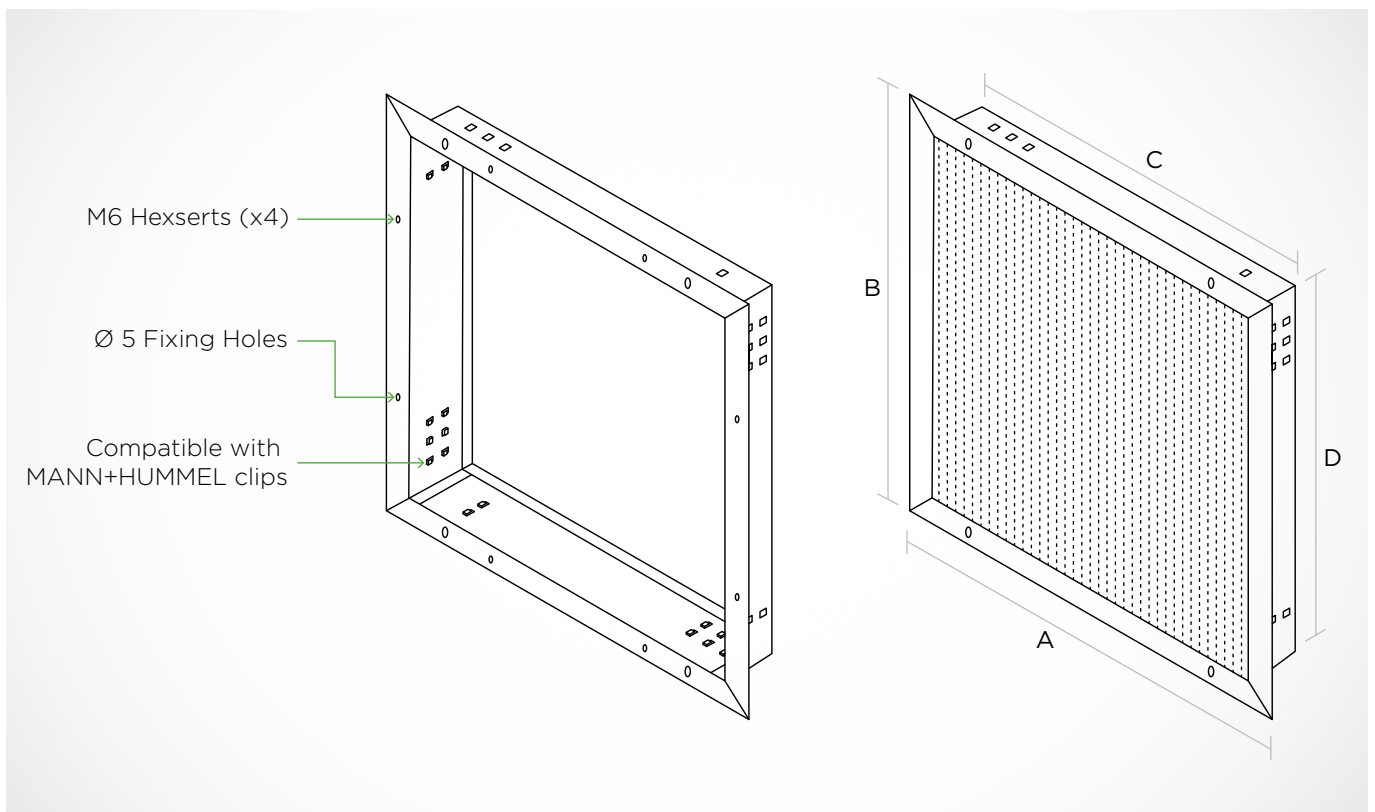
Manufactured from galvanised steel as standard with other options available on request. The Air Exhaust Housing has a perforated grill diffuser, which is powder coated RAL 9010 and fastened to the flange with zinc-plated screws. The filters are held in place by four stainless steel corner clips.

APPLICATIONS

Designed for the separation of contaminants from exhaust air in general HVAC applications, hospitals, and pharmaceutical environments.

Exhaust Air Housing Outlet Air Filter Unit

PERFORMANCE DATA



Number of Filters		A	B	C	D	Flow Rate
592 x 592	592 X 287	mm	mm	mm	mm	m ³ /h
	1	710	405	610	305	1700
1		710	710	610	610	3400

Flow rate based on Airpanel Eco S. Please contact us for other options.

