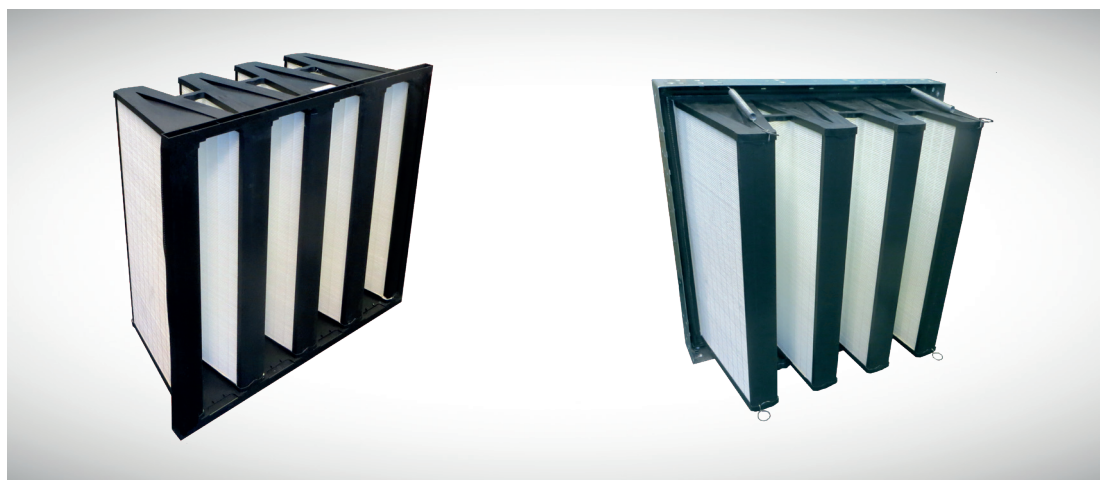
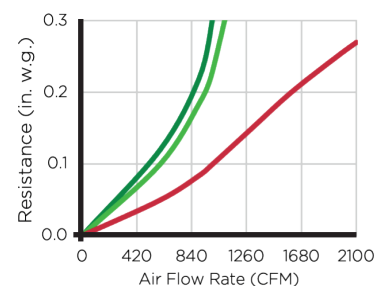


PredatorAG

8 Panel V-Cell Filters



RESISTANCE VS. AIR FLOW



■ MERV 14 ■ MERV 15
■ MERV 16

Data represents use of pre-filter

HIGH EFFICIENCY, EIGHT PANEL, V-CELL FILTERS

Each year swine farmers lose millions of dollars to Porcine Reproductive and Respiratory Syndrome Virus. At MANN+HUMMEL, we separate the useful from the harmful by providing high quality air filtration solutions. Our PredatorAG, a high efficiency

filter designed specifically for the agriculture industry, is the ideal solution to ensure that only clean and healthy air is allowed to enter your swine farm facilities. These filters trap pathogens before they have a chance to pose a risk to your herds.

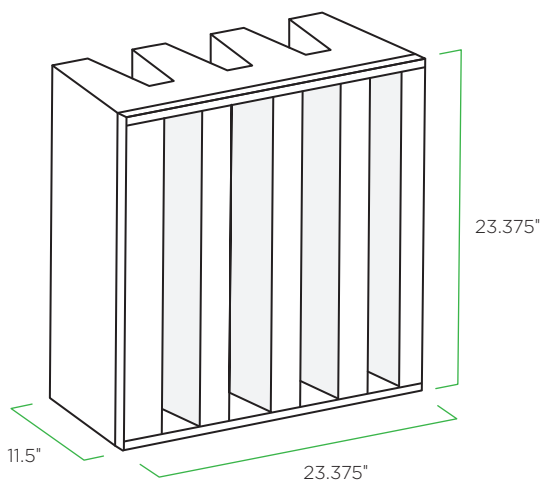
SPECIFICATIONS

Media	Micro-fiberglass
Frame	All plastic frame & struts with recycled content
Rec. Final Resistance	1.5" w.g. (373 Pa)
Temperature Limit	Max. 160 °F

EFFICIENCY (ASHRAE 52.2)

MERV 14
MERV 15
MERV 16

FRAME DIAGRAM



PredatorAG

Technical Specifications

	NOMINAL DIMENSIONS W x H x D - Inches (mm)	ACTUAL DIMENSIONS W x H x D - Inches (mm)	RATED CAPACITY CFM (m ³ /sec)	MEDIA AREA ft ² (m ²)	RECOMMENDED FINAL RESISTANCE "w.g.(PA)
MERV 14	24 x 20 x 12 (610 x 508 x 305)	23 ³ / ₈ x 19 ³ / ₈ x 11 ¹ / ₂ (594 x 492 x 292)	1670 (0.78)	170 (15.7)	1.5 (373)
	24 x 24 x 12 (610 x 610 x 305)	23 ³ / ₈ x 23 ³ / ₈ x 11 ¹ / ₂ (594 x 594 x 292)	2000 (0.94)	200 (18.5)	1.5 (373)
MERV 15	24 x 20 x 12 (610 x 508 x 305)	23 ³ / ₈ x 19 ³ / ₈ x 11 ¹ / ₂ (594 x 492 x 292)	1670 (0.78)	170 (15.7)	1.5 (373)
	24 x 24 x 12 (610 x 610 x 305)	23 ³ / ₈ x 23 ³ / ₈ x 11 ¹ / ₂ (594 x 594 x 292)	2000 (0.94)	200 (18.5)	1.5 (373)
MERV 16	24 x 20 x 12 (610 x 508 x 305)	23 ³ / ₈ x 19 ³ / ₈ x 11 ¹ / ₂ (594 x 492 x 292)	1670 (0.78)	170 (15.7)	1.5 (373)
	24 x 24 x 12 (610 x 610 x 305)	23 ³ / ₈ x 23 ³ / ₈ x 11 ¹ / ₂ (594 x 594 x 292)	2000 (0.94)	200 (18.5)	1.5 (373)

NOTES

- Additional sizes & special size filters are not available - contact your local representative for additional information
- Width & height dimensions are interchangeable
- Pallet = 28 pieces & a truckload = 728 pieces

MANN+HUMMEL is committed to continual product development - all descriptions, specifications and performance data are subject to change without notice. MANN+HUMMEL products are manufactured to exacting criteria - there can be a ±5% variance in filter performance.

LOCAL REPRESENTATIVE

Tel: 877.752.5811 | airfiltration.mann-hummel.com/us-en