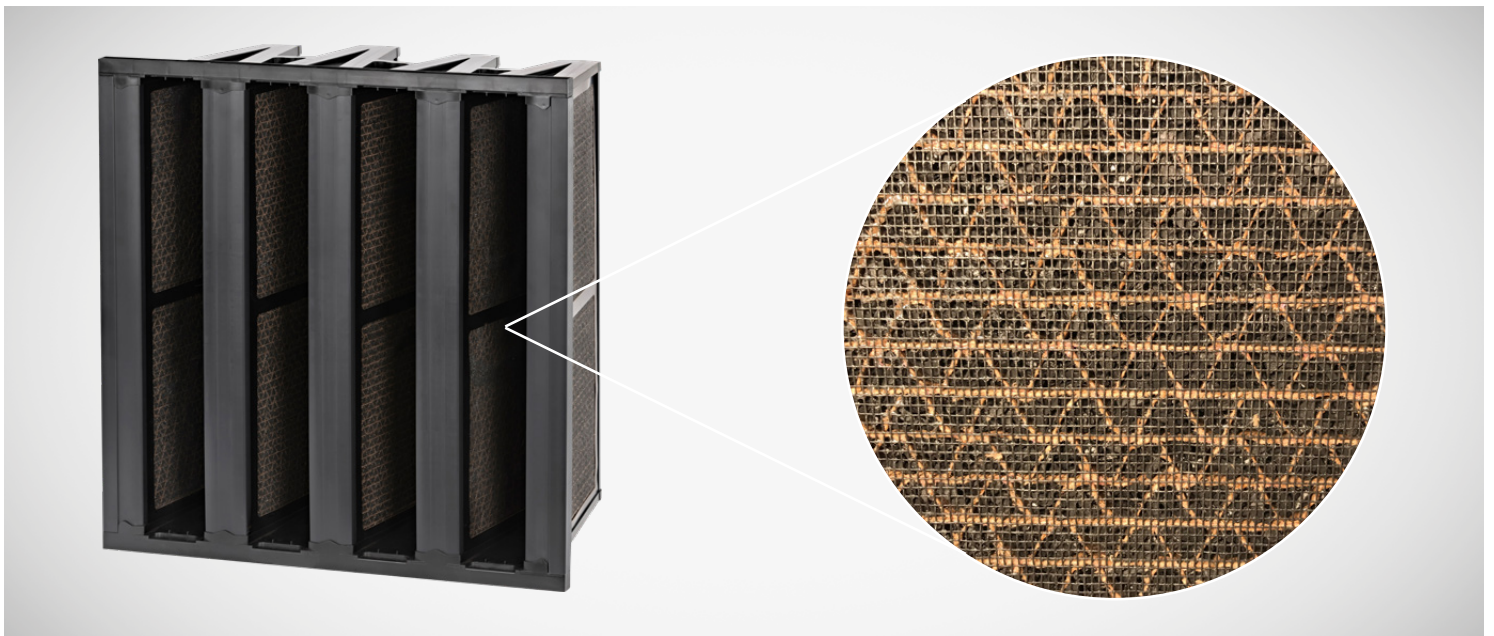


# Tri-Sorb VH Carbon V-Bank Honeycomb Filter



## V-BANK CARBON FILTER FOR DEMANDING APPLICATIONS

Tri-Sorb VH is a V-bank carbon filter that features special honeycomb panels. These panels hold 24 lbs of carbon per 24 x 24 x 12 filter—either 100% 6 x 12 mesh, industrial-grade CTC high-activity carbon, or a 50/50 blend of carbon and potassium permanganate.

These types and quantity of carbon allow Tri-Sorb VH to be used in applications with heavy concentrations of unwanted gases and to control a wide range of odors.

Tri-Sorb VH is designed to withstand the demands of the toughest of applications. The frame is double-walled and constructed from high strength plastic. And the pack sealant is moisture resistant and strong to add to the overall pack strength.

But this toughness and strength does not compromise performance. Tri-Sorb VH effectively controls gaseous contaminants while offering a low initial operating resistance of just 0.30 "W.G.

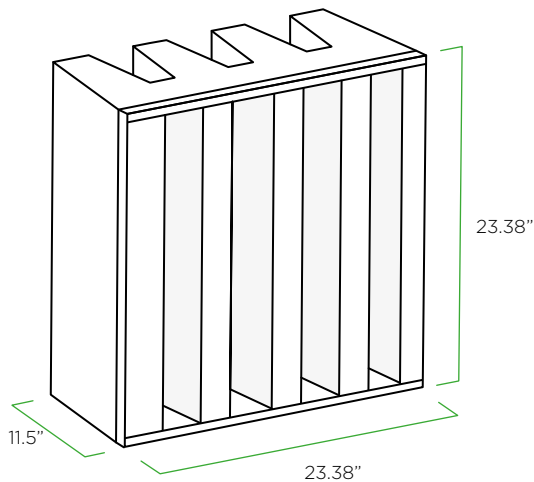
# Tri-Sorb VH

## Technical Data

Nominal Size (inches)	Exact Size (inches)	Media	Air Flow (CFM)	Resistance ("W.G.)	Media Weight (lbs)
24 x 24 x 12	23 <sup>3</sup> / <sub>8</sub> x 23 <sup>3</sup> / <sub>8</sub> x 11 <sup>1</sup> / <sub>2</sub>	Granular activated carbon	2000	0.30	24
12 x 24 x 12	11 <sup>3</sup> / <sub>8</sub> x 23 <sup>3</sup> / <sub>8</sub> x 11 <sup>1</sup> / <sub>2</sub>		1000	0.30	11
24 x 24 x 12	23 <sup>3</sup> / <sub>8</sub> x 23 <sup>3</sup> / <sub>8</sub> x 11 <sup>1</sup> / <sub>2</sub>	Carbon and potassium permanganate blend	2000	0.33	29
12 x 24 x 12	11 <sup>3</sup> / <sub>8</sub> x 23 <sup>3</sup> / <sub>8</sub> x 11 <sup>1</sup> / <sub>2</sub>		1000	0.33	13

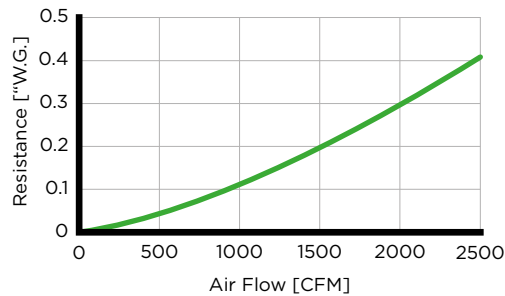
### FILTER DRAWING

Dimensions



### PERFORMANCE DATA

Resistance to Airflow



**Note:** This filter is a carbon filter and does not have a particulate removal layer.

### LOCAL REPRESENTATIVE

Tri-Dim Filter Corporation is committed to continual product development - all descriptions, specifications and performance data are subject to change without notice. Tri-Dim products are manufactured to exacting criteria - there can be a ±5% variance in filter performance.