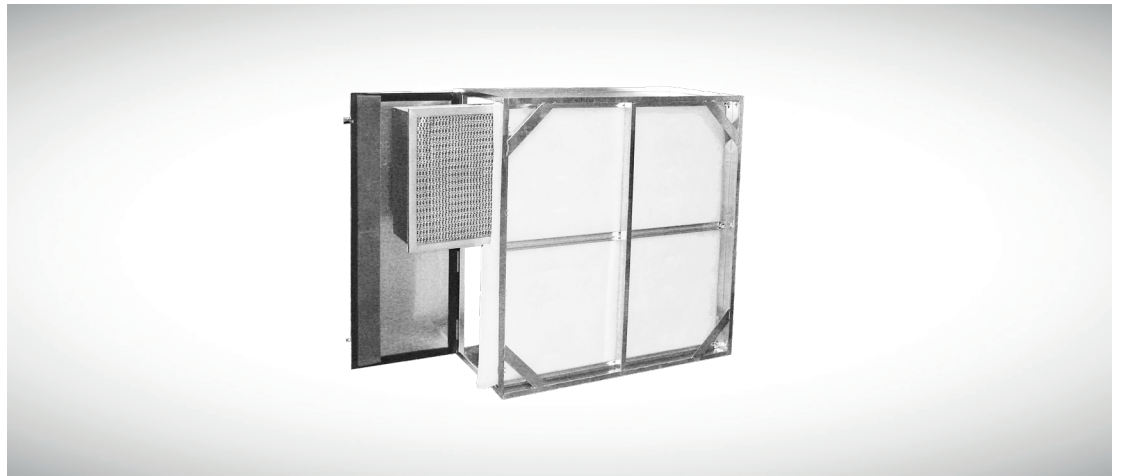


Microlock Side-Access ASHRAE Housings

FEATURES

- Available in three stock depths
- Available in galvanized and stainless steel
- Welded construction
- Corner supports for rigidity
- Flexible in possible filter options
- Perform up to ± 3 in. w.g.
- Positive tension, gasketed doors
- Factory installed flange
- Large list of options



OPTIONS

- Vertical flow application
- Weather cover
- Bottom access
- Lifting lugs
- Transitions
- Custom and drilled flanges
- Double wall insulation
- Static port(s)
- Magnehelic gauge
- Photohelic gauge
- High temperature gasket

MICROLOCK SA ASHRAE HOUSINGS CONSTRUCTION & APPLICATIONS

The Microlock SA ASHRAE Housing is a permanent housing designed to specifically accommodate two stages of ASHRAE rated prefilters and final filters.

The Microlock SA ASHRAE Housing is available in three standard depths: 22¼ inch, 34¼ inch, 42 inch, or custom depths. The housing is manufactured with galvanized steel or optional stainless steel, and is intermittently welded together for strength. All seams are silicone caulked for an airtight seal. Upstream corner supports increase the rigidity of the unit.

The Microlock SA ASHRAE Housing utilizes one piece construction with a filter track extrusion permitting either a 2 inch, 4 inch or 6 inch prefilter track, and a 1 inch final filter header track. Each housing is custom manufactured to meet specific end user requirements.

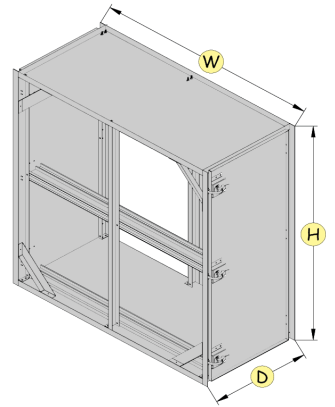
For ultimate versatility, The Microlock SA ASHRAE Housing accommodates different types and efficiencies of air filters. Check individual filter rating to determine specific efficiency and flow rates. The recommended system static pressure range for the housing is ± 3 in. w.g.

Positive tension door locks make filter servicing easy and combined with a perimeter gasketing around the door ensures a positive seal. The factory installed flange is suitable for connection to either ductwork or an air handling system.

The Microlock SA ASHRAE Housing comes with a large number of options enabling housings to be customized to meet any application specific requirements.

MICROLOCK SA ASHRAE HOUSING
TECHNICAL DATA

		UNIT WIDTH				
		1	2	3	4	
UNIT HEIGHT	1	Capacity	2,000 CFM	4,000 CFM	6,000 CFM	8,000 CFM
		Dimensions	26 ⁷ / ₈ x 26 ³ / ₈ "	26 ⁷ / ₈ x 49 ¹ / ₂ "	26 ⁷ / ₈ x 72 ⁷ / ₈ "	26 ⁷ / ₈ x 96 ¹ / ₄ "
		No. Filters	1	2	3	4
		Face Area	4 sq. ft.	8 sq. ft.	12 sq. ft.	16 sq. ft.
	2	Capacity	4,000 CFM	8,000 CFM	12,000 CFM	16,000 CFM
		Dimensions	51 x 26 ³ / ₈ "	51 x 49 ¹ / ₂ "	51 x 72 ⁷ / ₈ "	51 x 96 ¹ / ₄ "
		No. Filters	2	4	6	8
		Face Area	8 sq. ft.	16 sq. ft.	24 sq. ft.	32 sq. ft.
	3	Capacity	6,000 CFM	12,000 CFM	18,000 CFM	24,000 CFM
		Dimensions	75 ¹ / ₈ x 26 ³ / ₈ "	75 ¹ / ₈ x 49 ¹ / ₂ "	75 ¹ / ₈ x 72 ⁷ / ₈ "	75 ¹ / ₈ x 96 ¹ / ₄ "
		No. Filters	3	6	9	12
		Face Area	12 sq. ft.	24 sq. ft.	36 sq. ft.	48 sq. ft.
	4	Capacity	8,000 CFM	16,000 CFM	24,000 CFM	32,000 CFM
		Dimensions	99 ³ / ₄ x 26 ³ / ₈ "	99 ³ / ₄ x 49 ¹ / ₂ "	99 ³ / ₄ x 72 ⁷ / ₈ "	99 ³ / ₄ x 96 ¹ / ₄ "
		No. Filters	4	8	12	16
		Face Area	16 sq. ft.	32 sq. ft.	48 sq. ft.	64 sq. ft.



NOTES

- Capacity** is reported in CFM at a flow rate of 500 FPM
- Dimensions** are reported in exact size in inches and height x width
- Special and half size units** are also available
- Number of filters** are reported in quantity and nominal dimensions of 24 x 24 in
- Face area** is reported as face area of air filters - nominal size in square feet
- Standard housing depths** relative to depth of final filters:
 12 - 15 in. = 22³/₄ in.
 15 - 26 in. = 34³/₄ in.
 26 - 36 in. = 42 in.

LOCAL REPRESENTATIVE

MANN+HUMMEL is committed to continual product development - all descriptions, specifications and performance data are subject to change without notice. MANN+HUMMEL products are manufactured to exacting criteria - there can be a ±5% variance in filter performance.